

## Noma bar table

by Javier Mariscal

The Noma Collection, designed by **Javier Mariscal** for the Spanish brand **Vondom**, is a group of outdoor items. There was an aim to create a new typology of furniture by combining the functions of a flowerpot and an outdoor table, and thus NOMA was born, a collection **characterized by its originality and versatile nature.**



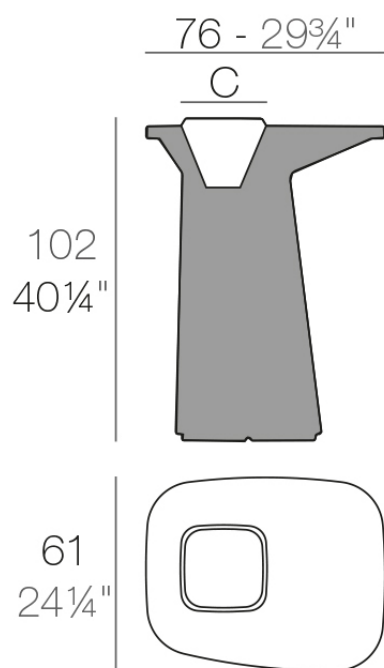
## Info

---

### Description

Made of polyethylene resin by rotational moulding. 100% Recyclable. Item suitable for indoor and outdoor use. Available in different finishes.

Weight: 15 Kg



NOMA Mesa Alta  
NOMA Bar Table

C = 20 x 20 cm  
C = 7 3/4" x 7 3/4"

## Ambients

---



# VONDOM



## Noma bar stool

by Javier Mariscal

The Noma Collection, designed by **Javier Mariscal** for the Spanish brand **Vondom**, is a group of outdoor items. There was an aim to create a new typology of furniture by combining the functions of a flowerpot and an outdoor table, and thus NOMA was born, a collection **characterized by its originality and versatile nature.**



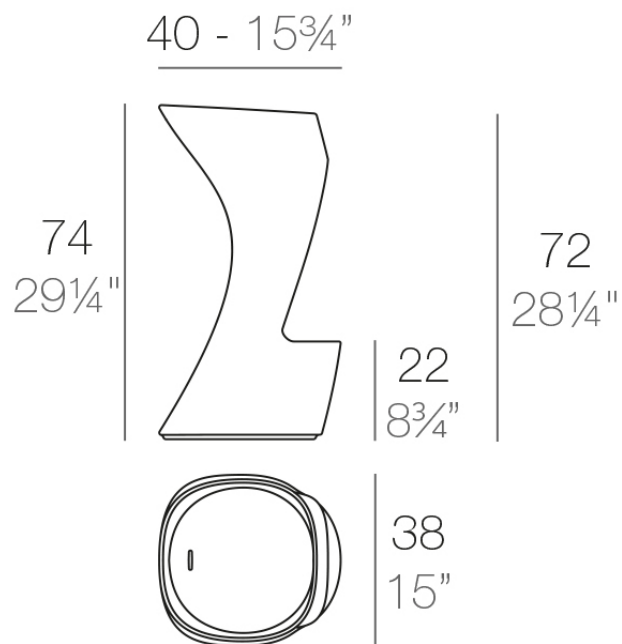
## Info

---

### Description

Made of polyethylene resin by rotational moulding. 100% Recyclable. Item suitable for indoor and outdoor use. Available in different finishes.

Weight: 5.5 Kg



NOMA Taburete Alto  
NOMA Bar Stool

## Ambients

---



# VONDOM

