

YOGA

YOGA

AG

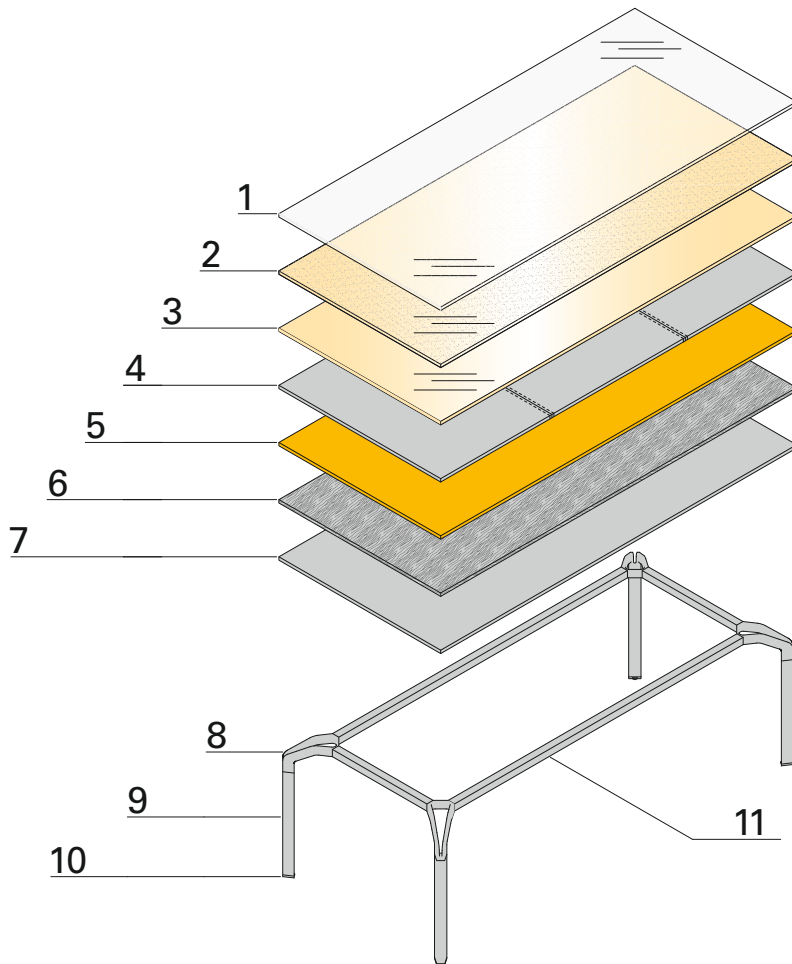
+20,75%

dal 15-10-2022
from 15-10-2022
du 15-10-2022



Listino Prezzi 2015 - IVA ESCLUSA
Price List 2015 - VAT EXCLUDED
Liste des Prix 2015 - VTA EXCLU





- 1 - VETROTRASPARENTE
TRASPARENT GLASS - VERRE TRASPARENT
- 2 - VETRO LACCATO NO-PRINT
LACQUERED NO-PRINT GLASS - VERRE LAQUÉ NO -PRINT
- 3 - VETRO LACCATO
LACQUERED GLASS - VERRE LAQUÉ
- 4 - RIVESTITO IN PELLE
LEATHER COVER - COUVERTURE EN CUIR
- 5 - LACCATO OPACO ANTIGRAFFIO
SCRATCH RESISTANT MATT LACQUERED - LAQUÉ MAT ANTI-RAYURE
- 6 - IMPIALLACCIATO
WOOD VENEER - PLAQUÉ
- 7 - ESSENZA MELAMINICO
MFCTYPES - MÉLAMINÉ
- 8 - GIUNTO IN PRESSOFUSIONE DI ALLUMINIO
JOINTS IN DIE-CAST ALUMINIUM
LIAISON EN ALUMINIUM MOULÉ SOUS PRESSION
- 9 - GAMBA IN ESTRUSO DI ALLUMINIO
EXTRUDED ALUMINIUM LEG - PIÉTEMENT EN EXTRUDÉ ALUMINIUM
- 10 - PIEDINO DI REGOLAZIONE CROMATO
CHROMED LEVELLING FOOT - PATINS DE NIVELLEMENT CHROMÉS
- 11 - TRAVE INTUBOLARE DI ACCIAIO
TUBULAR STEEL BEAM - POUTRE ENTUBULAIRE D'ACIER

finiture "STANDARD"

prodotti con finiture "standard" in melaminico, metallo e alluminio, sono disponibili a magazzino come prodotto finito per consegna veloce.

"STANDARD" finishes

Products with "standard" finishes in melamine, metal and aluminium, are available as finished product from stock for fast delivery.

finitions "STANDARD"

Produits avec finitions "standard" en melaminé, en metal ou en Aluminium, ils sont disponible au depôt comme produit fini pour une livraison rapide.

finiture "ON DEMAND"

Prodotti con finiture "on demand": vengono realizzati su commessa. I tempi di consegna variano in base alla tipologia di finitura on demand, quindi vengono comunicati separatamente.

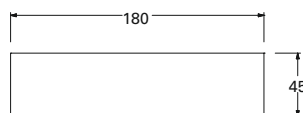
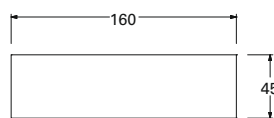
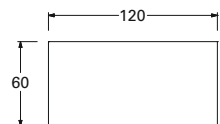
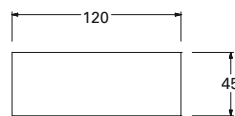
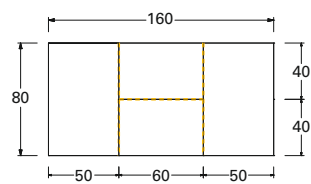
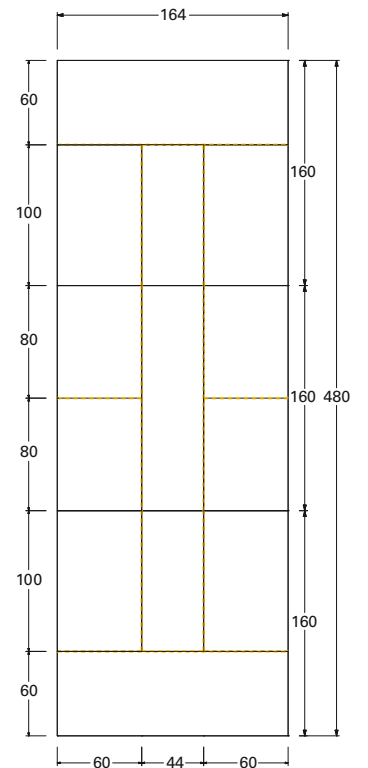
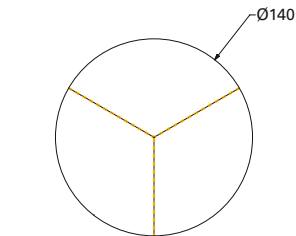
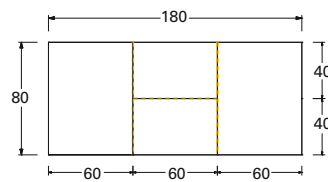
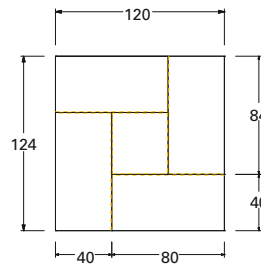
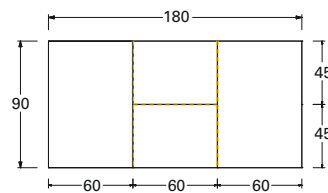
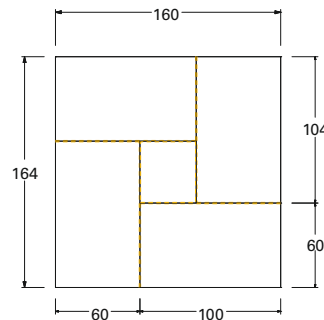
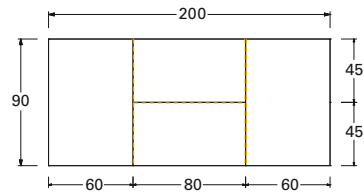
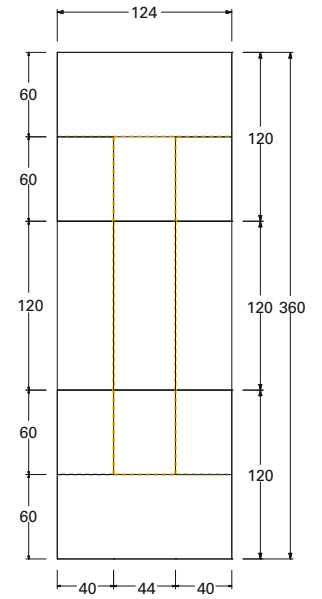
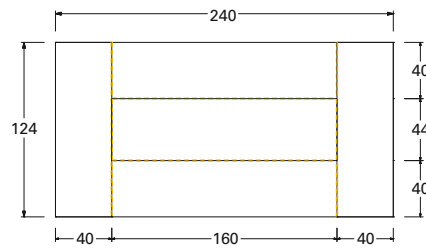
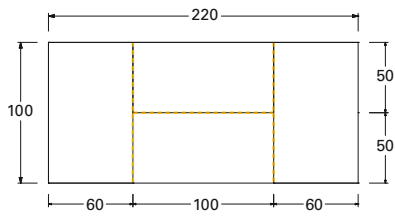
finishes "ON DEMAND"

Products with finishes "on demand": they are produced on demand. Delivery times vary depending from the type of finish on demand and are confirmed accordingly.

finitions "ON DEMAND"

Produits avec finitions "on demand": réalisés sur demande. Les temps de livraison changent en relation à la typologie des finitions et sont communiqués séparément.

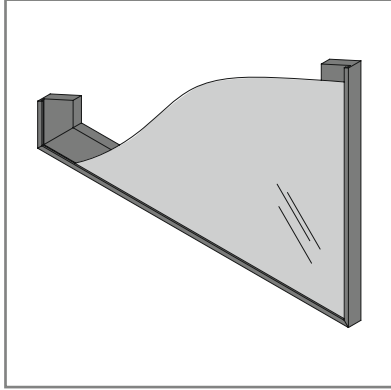
Schema cuciture piani in pelle - Leather stitching pattern plans - Plans de motif de couture en cuir



Tipologie ante vetro - Types glass doors - Portes types de verre

Telaio Alluminio 20/45
Aluminium frame 20/45
Cadre alu 20/45

A2BD, A2NY, A2AL

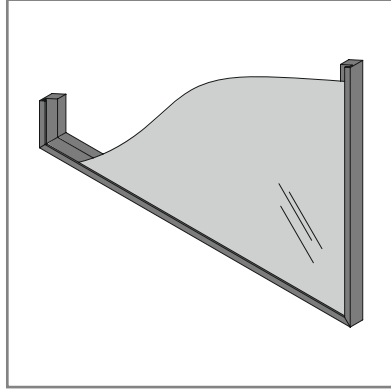


Vetro
Glass
Verre

**E1BD, E1GY, E1GF, E1CT, E1VA,
E1MS, E1BV, E1MK, E1NY, E1RL,
V1GE, V1SL**

Telaio Alluminio 20/20
Aluminium frame 20/20
Cadre alu 20/20

A2BD, A2NY

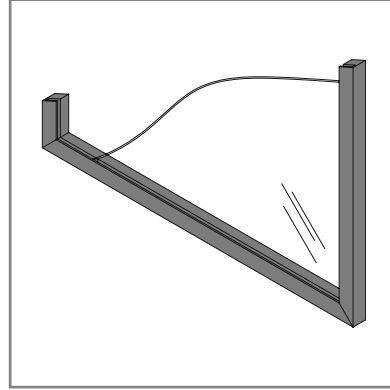


Vetro
Glass
Verre

**E1BD, E1GY, E1GF, E1CT, E1VA,
E1MS, E1BV, E1MK, E1NY, E1RL,
V1GE, V1SL**

Telaio Alluminio 20/20
Aluminium frame 20/20
Cadre alu 20/20

A2BD, A2NY

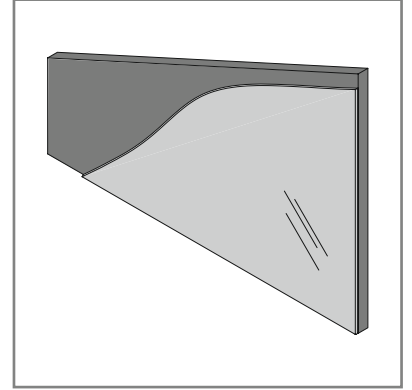


Vetro Trasparente
Transparent glass
Verre transparente

E1EC

Supporto melaminico
MFC support panel
Panneau soutien en mélamine

N3BD, N3NJ, L1RL

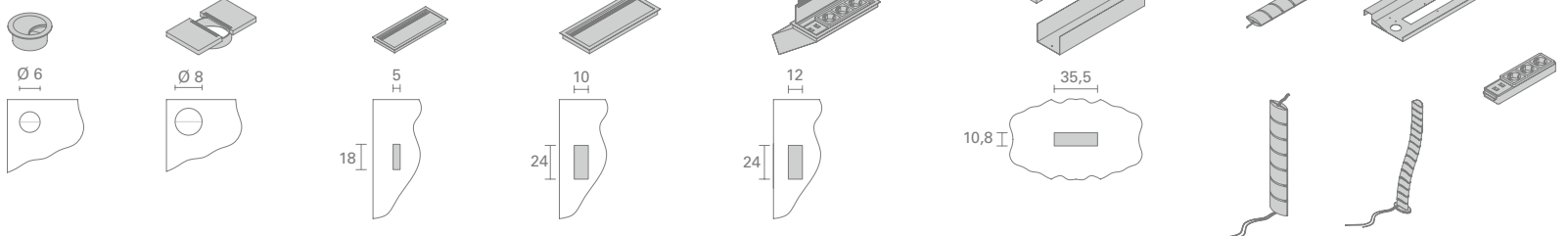
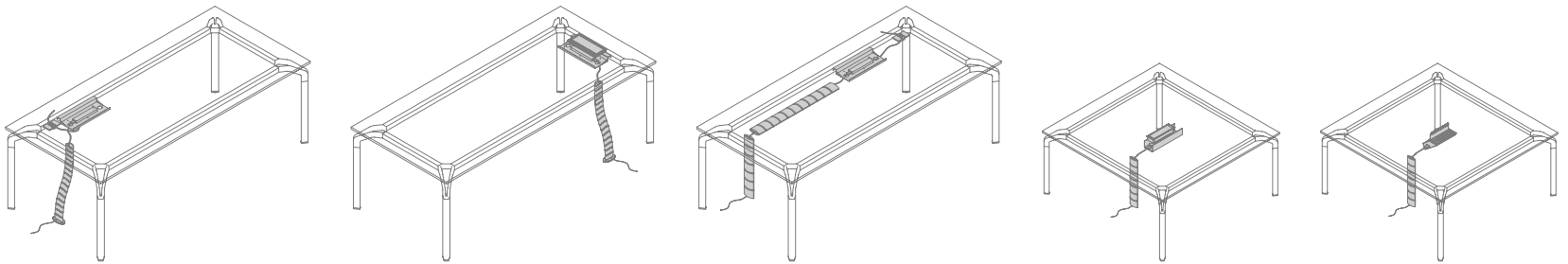


Vetro NO - PRINT
NO-PRINT Glass
Verre NO-PRINT

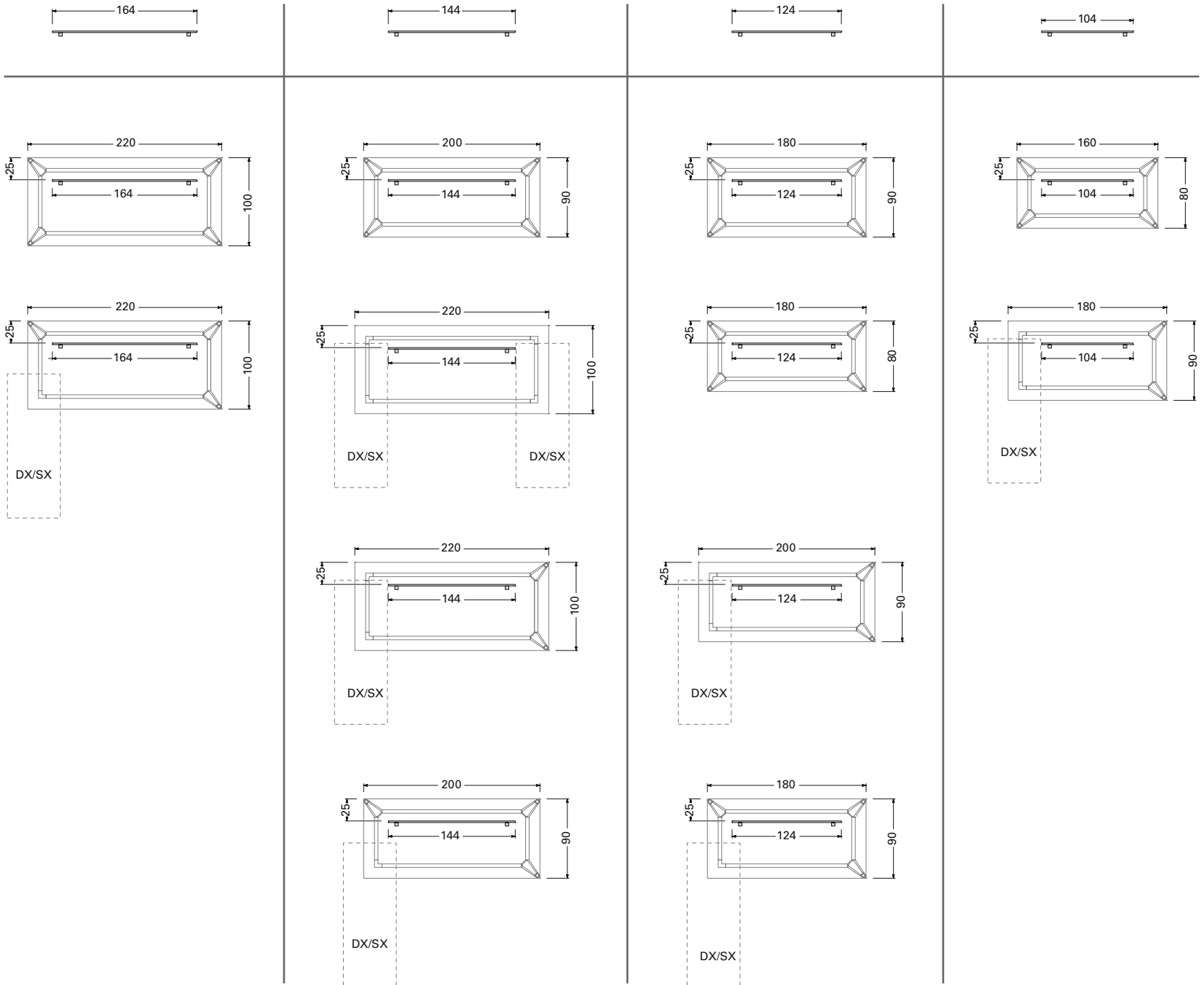
**E3BD, E3GY, E3GF, E3CT, E3VA,
E3MS, E3BV, E3MK, E3NY, E3RL**

Elettificazione scrivanie - Cable management - Electrification

Esempi Examples Exemple



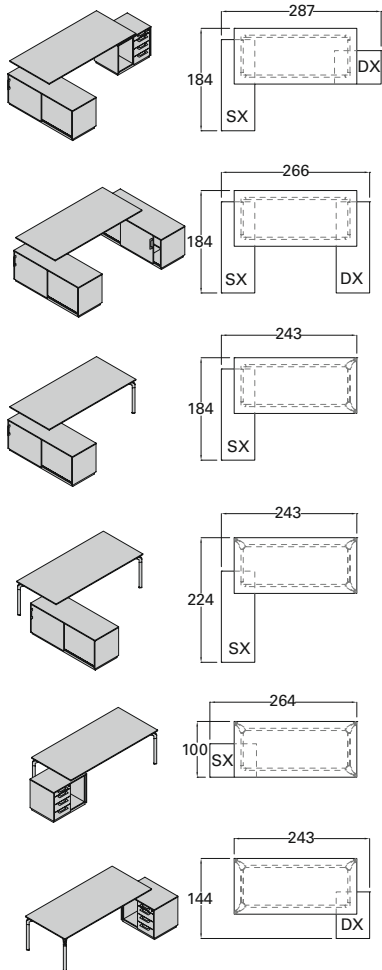
Posizionamento Gonna frontale - Positioning modesty panel - Placement VDF



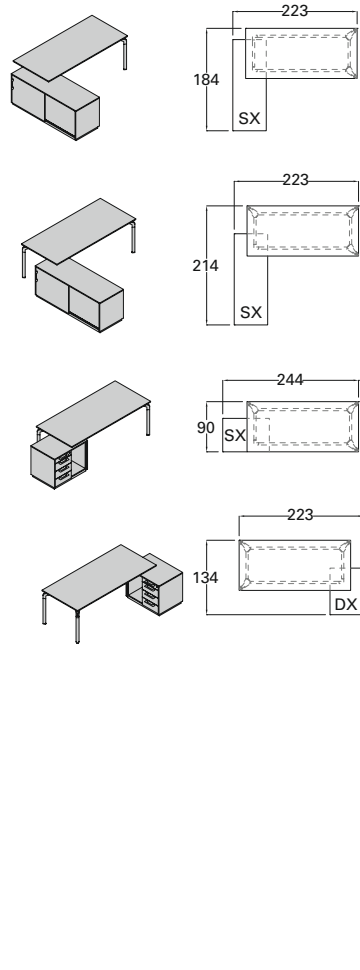
Configurazione scrivanie con mobili strutturali

Configuration of desks with structural containers - Bureaux en configuration avec rangement de soutien

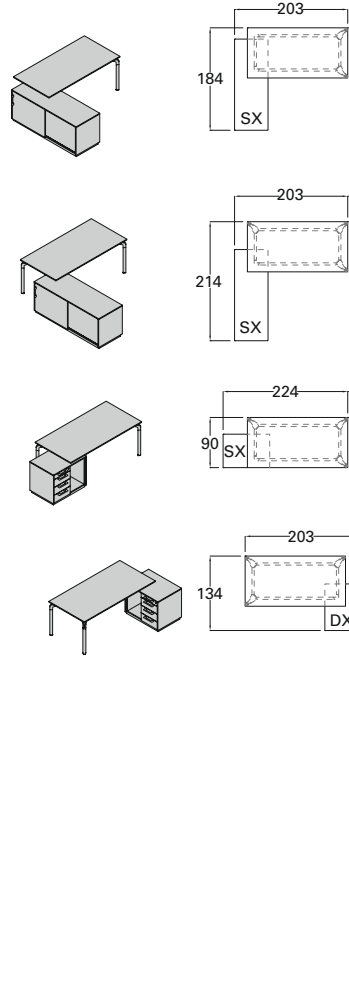
L 220 P 100



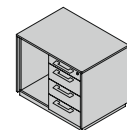
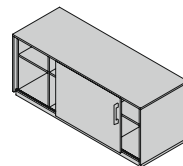
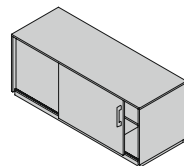
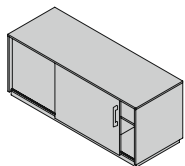
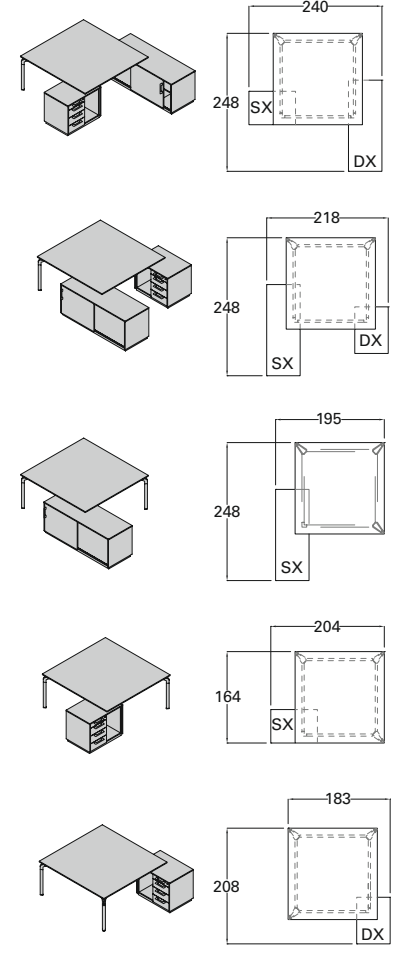
L 200 P 90



L 180 P 90



L 160 P 164



The logo for 'about OFFICE' is displayed on a dark grey square background. The word 'about' is written in a bold, white, lowercase sans-serif font. The letter 't' is stylized with a red square at its top right corner. Below 'about', the word 'OFFICE' is written in a smaller, white, uppercase sans-serif font with wide letter spacing.

about
OFFICE

Moblipref S.p.A.
Via Carlo Maccari, 1
Zona Industriale Baraccola Sud
60131 Ancona (AN) Italy
t. +39 071.2906920 / f. +39 071.2866429
info@about-office.it / www. about-office.it